

COMMERCIAL Grain Storage Systems

# COMMERCIAL GRAIN SILO



[www.tecodryer.com](http://www.tecodryer.com)-[tecodryers@gmail.com](mailto:tecodryers@gmail.com)-TEL:+90 322 233 8981

Whatsapp +90 551 152 9361

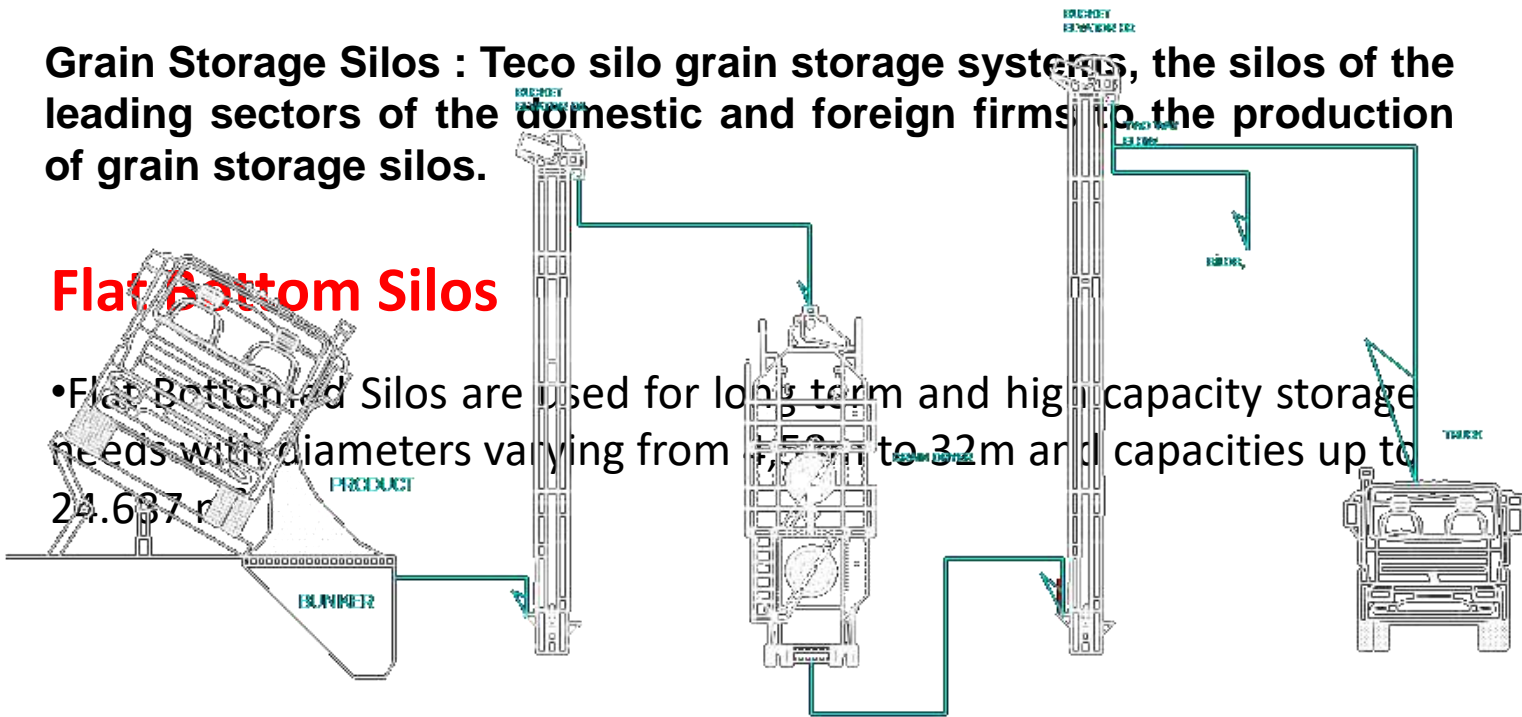
[www.tecodryer.com](http://www.tecodryer.com)

# Grain Storage Silos

**Grain Storage Silos :** Teco silo grain storage systems, the silos of the leading sectors of the domestic and foreign firms to the production of grain storage silos.

## Flat Bottom Silos

• Flat Bottomed Silos are used for long term and high capacity storage needs with diameters varying from 7,5m to 32m and capacities up to 24.637 t



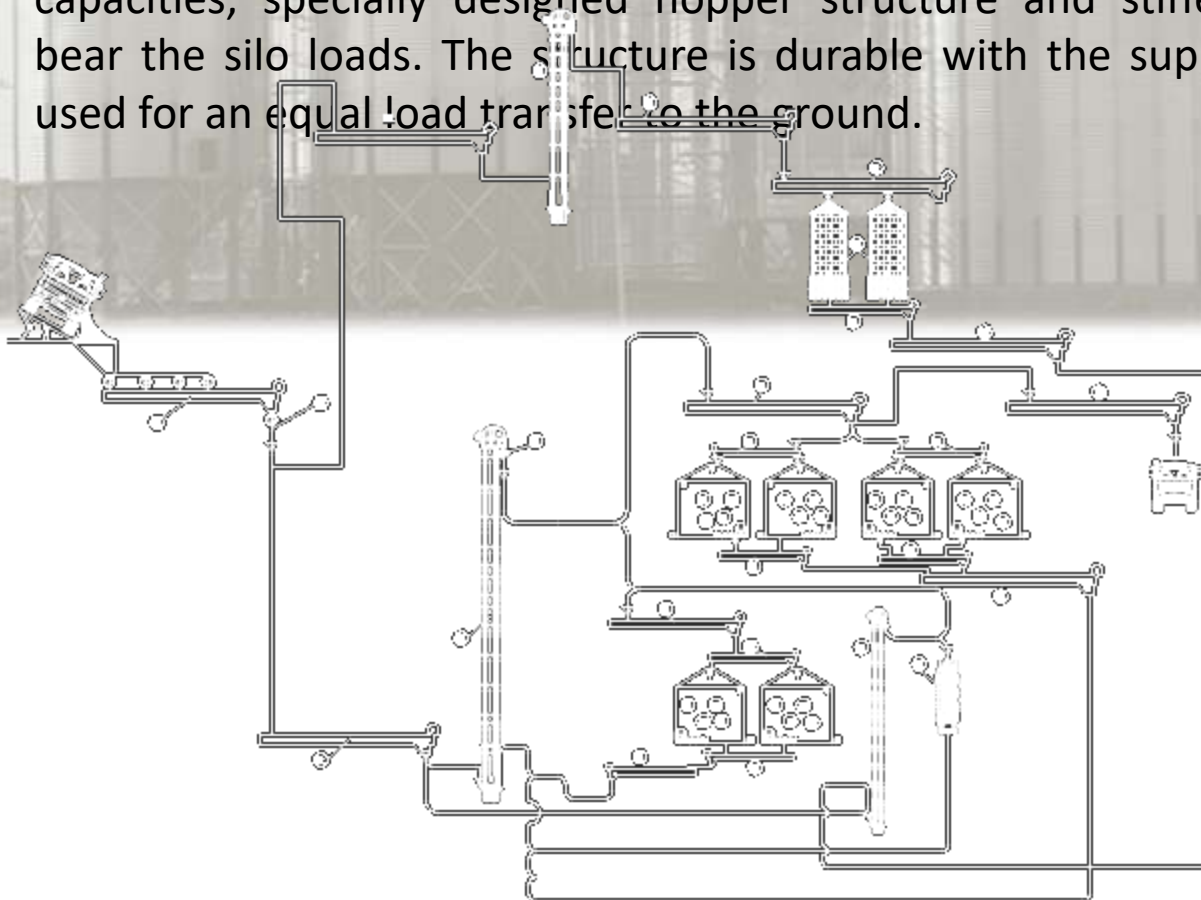


## Commercial Hopper Base Silos

Teco Commercial Hopper Base Silos are suitable for high storage, continuous loading and unloading, segmentation, tempering and drying process requirements. Besides, hopper bottom silos prevent time, energy and monetary losses thanks to self-unloading hopper design.

Hopper angles are offered as 37-40-45-60° according to silo diameter, product type and purpose to be stored.

Commercial Hopper Silos are presented with diameters from 4.58 m to 11.00 m and capacities up to 1829 m<sup>3</sup>. Due to the higher storage capacities, specially designed hopper structure and stiffeners easily bear the silo loads. The structure is durable with the support chassis used for an equal load transfer to the ground.



## **FLAT TOP**

High volumes of grain need to be moved quickly and efficiently. That means material handling equipment is also getting bigger, which makes a bigger flat top necessary to support heavier equipment. Integrated attachment points within the flat top eliminate guesswork on where to attach material handling equipment for more accurate assembly. An optional integrated peak walk-around is available on bins larger than 54' diameter.

## **ACCESSORY MOUNTING RING**

Whatever direction material-handling equipment comes in at, the accessory mounting ring gives builders a 360-degree surface to attach external equipment, simplifying the process. Available only on Z-Tek Roof Systems for all bins 54' and larger.

## **PURLINS**

All purlins are designed as compression purlins for even distribution of the roof load. The Z-Tek Roof System delivers an increase in peak and snow load capacities as well as a simplified design for fast installation. Teco purlins are manufactured using the latest roll-form technology to ensure the most accurate fit possible.

## **ROOF SHEET OVERLAP**

Teco in-plane roof lap is designed to stop leaking by eliminating the flashing that was previously required between the upper and lower panels.

## TEMPERATURE CABLE BRACKETS

Teco Roof System includes standard temperature cable attachment brackets for 54' and larger so you don't need to order additional parts. Temperature cables can be used on bins 48' and smaller with the addition of optional support brackets.

**The safety of you and your employees is our top priority. Durable and weather-resistant Teco stairways, ladders, cages, platforms, sidewall doors, steps and roof caps are designed to provide safe, convenient access points. Every piece is custom engineered to fit and work together seamlessly.**

## BIN LADDERS

Teco high-strength ladders have rollformed sides and stamped rungs to eliminate rung spin. Quick assembly sections are available in 48" lengths and feature dimpled rungs for a better grip.

## PLATFORMS

An eave platform can be constructed below the manhole for your convenience when entering the bin or inspecting the roof. The platform is formed from galvanized steel and machine-stamped with a tread grip

## LADDER CAGES

Teco ladder cages are completely galvanized and bolt directly to the prepunched sidewall ladders. The bottom of the cage has a bell section, which allows ample space while climbing the ladder.

## **WALK-THROUGH BIN DOORS**

Walk-through doors are available on all Teco grain bins. All inner door panels on Teco walk-through doors open completely. There are no horizontal bars or braces to unbolt or remove. The specially designed lever latch multiplies the inner door opening force by 20 times, so opening is quick and easy. No renches or tools are required to operate.

## **VEHICLE TRAFFIC DOOR**

An optional vehicle traffic door is available when a larger opening is required or where a skid-steer loader will be used for final cleanout. The door is designed so that everything is accomplished from the outside of the bin. With no center posts to remove, it is easy for one person to open the door. Available on 48'–135' bins.

## **HEAVY-DUTY POWER SWEEP**

Basic bin unloads 8", 10" and 12" models with a horizontal discharge option are available. Dura-Edge flighting is standard on all augers, increasing life by 30%. Integrated Power Sweeps are available in 8" and 10" models or a heavy-duty 10" option. Power Sweeps are permanently installed and utilize the same motor as the basic round tube unload. Power sweeps are available in bins up to 78' diameter.



Teco offers you a range of roof systems to match your commercial installation requirements and your budget.

72 ft. to 105 ft. Models (21.9 m to 32 m): Larger models typically need extra support due to larger capacity conveyers, catwalks and heavier spouts.

30 ft. to 60 ft. Models (9.1 m to 18.3 m): Option of raftered or non-raftered roof system.

Up to 30 ft. Models (Up to 9.1 m): Non-raftered roof systems are standard and generally meet or exceed roof load requirements for these sizes.

Every roof design has been tested for fit at the factory. All roof designs were initially assembled by our engineers before the first one shipped.

This extra quality step means you don't have to worry about dealing with a "prototype" during installation. Every bolt hole lines up. Every sheet matches.

Rafters and purlins are precisely manufactured

Ⓜ-115(Z350) galvanization on all outer roof sheets and most raftered components, leading to 27% longer life on areas exposed to the elements.

Components that require welding are not galvanized, but are powder coated for optimal protection. Ⓜ0° roof slope helps void debris and snow from the roof system, without increasing overall bin height. Ⓜ

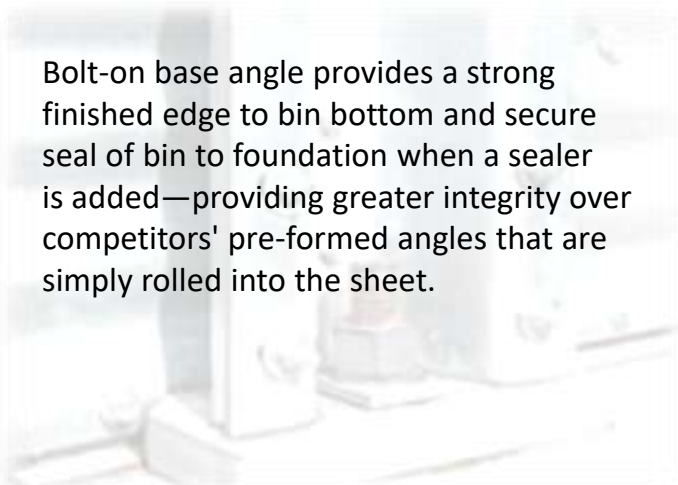
Temperature cable brackets are easily added to raftered roofs with minimal expense. ⓂPowered roof exhausters are easily added with trouble-free installation on site. Ⓜ

Gooseneck vents with corresponding pre-formed vent opening allow for easier installation. ⓂThree roof panels per sidewall sheet also simplify installation.

# Grain Storage Silos



Bolt-on base angle provides a strong finished edge to bin bottom and secure seal of bin to foundation when a sealer is added—providing greater integrity over competitors' pre-formed angles that are simply rolled into the sheet.



Optional side draw system is a common add-on to TECO commercial grain storage systems. Available on most models, side draw installation provides high-speed, economical unloading. Side draw systems include baffles and 12" (30.5 cm) outlet with rack and pinion gate.



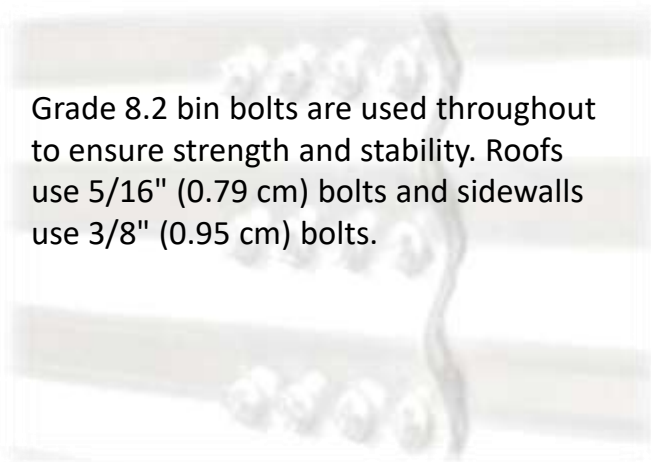
G115 galvanizing of stiffeners provides up to 27% longer life. Most stiffeners are ASTM A653 Grade 55 with 55K yield and 70K tensile strength.



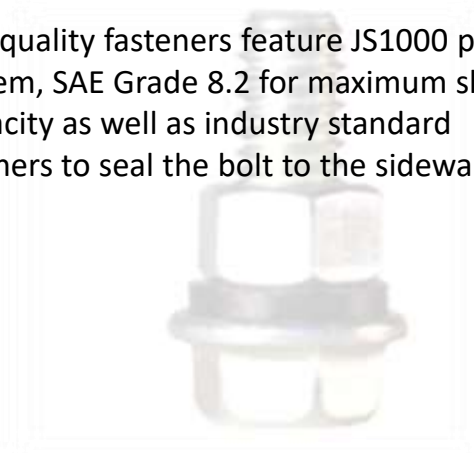
12 gauge splice ensures that stiffeners are properly butted to effectively transfer vertical sidewall load to the foundation.



Grade 8.2 bin bolts are used throughout to ensure strength and stability. Roofs use 5/16" (0.79 cm) bolts and sidewalls use 3/8" (0.95 cm) bolts.



Top-quality fasteners feature JS1000 plating system, SAE Grade 8.2 for maximum shear capacity as well as industry standard washers to seal the bolt to the sidewall.





# Grain Storage Silos



MODEL	SİLO ÇAPRI SILO DIAMETER (cm)	DAİRE SAYISI RING UNIT	SİLO HACİMİ SILO VOLUME (m <sup>3</sup> )	SACAĞ YÜKSEKLİĞİ EAVE HEIGHT (cm)	TEPE YÜKSEKLİĞİ OVERALL HEIGHT (cm)	KAPASİTE BUĞDAY CAPACITY WHEAT TON (1000 kg/m <sup>3</sup> )	MİSİR KAPASİTE CAPACITY CORN TON (720 kg/m <sup>3</sup> )	KAPASİTE AYÇEKİRDEĞİ CAPACITY SUNFLOWER TON (490 kg/m <sup>3</sup> )	
548	FBS-054808	548	8	184	728	886	156	140	78
	FBS-054809	548	9	206	819	977	174	157	87
	FBS-054810	548	10	227	910	1068	192	173	96
	FBS-054811	548	11	248	1001	1159	211	190	105
	FBS-054812	548	12	270	1092	1250	229	206	114
	FBS-054813	548	13	291	1183	1341	247	222	124
640	FBS-064008	640	8	254	728	913	215	194	108
	FBS-064009	640	9	283	819	1004	240	216	120
	FBS-064010	640	10	312	910	1095	265	238	132
	FBS-064011	640	11	342	1001	1186	290	261	145
	FBS-064012	640	12	371	1092	1277	315	283	157
	FBS-064013	640	13	400	1183	1368	339	305	170
	FBS-064014	640	14	429	1274	1459	364	328	182
731	FBS-073108	731	8	335	728	939	284	256	142
	FBS-073109	731	9	373	819	1030	316	285	158
	FBS-073110	731	10	411	910	1121	349	314	174
	FBS-073111	731	11	449	1001	1212	381	343	191
	FBS-073112	731	12	488	1092	1303	413	372	207
	FBS-073113	731	13	526	1183	1394	446	401	223
	FBS-073114	731	14	564	1274	1485	478	430	239
	FBS-073115	731	15	602	1365	1576	511	460	255
	FBS-073116	731	16	640	1456	1667	543	489	271

# Grain Storage Silos



823

FBS-082308	823	8	429	728	966	364	328	182
FBS-082309	823	9	478	819	1057	405	364	202
FBS-082310	823	10	526	910	1148	446	401	223
FBS-082311	823	11	574	1001	1239	487	438	244
FBS-082312	823	12	623	1092	1330	528	475	264
FBS-082313	823	13	671	1183	1421	569	512	285
FBS-082314	823	14	719	1274	1512	610	549	305
FBS-082315	823	15	768	1365	1603	651	586	326
FBS-082316	823	16	816	1456	1694	692	623	346
FBS-082317	823	17	865	1547	1785	733	660	367
FBS-082318	823	18	913	1638	1876	774	697	387
FBS-082319	823	19	961	1729	1967	815	734	408
FBS-082320	823	20	1010	1820	2058	856	771	428

914

FBS-091408	914	8	535	728	992	454	408	227
FBS-091409	914	9	595	819	1083	504	454	252
FBS-091410	914	10	654	910	1174	555	499	277
FBS-091411	914	11	714	1001	1265	606	545	303
FBS-091412	914	12	774	1092	1356	656	591	328
FBS-091413	914	13	833	1183	1447	707	636	353
FBS-091414	914	14	893	1274	1538	757	682	379
FBS-091415	914	15	953	1365	1629	808	727	404
FBS-091416	914	16	1013	1456	1720	859	773	429
FBS-091417	914	17	1072	1547	1811	909	818	455
FBS-091418	914	18	1132	1638	1902	960	864	480
FBS-091419	914	19	1192	1729	1993	1010	909	505
FBS-091420	914	20	1251	1820	2084	1061	955	531

# Grain Storage Silos



1005

FBS-100508	1005	8	654	728	1018	554	499	277
FBS-100509	1005	9	726	819	1109	616	554	308
FBS-100510	1005	10	798	910	1200	677	609	338
FBS-100511	1005	11	870	1001	1291	738	664	369
FBS-100512	1005	12	942	1092	1382	799	719	400
FBS-100513	1005	13	1015	1183	1473	860	774	430
FBS-100514	1005	14	1087	1274	1564	922	829	461
FBS-100515	1005	15	1159	1365	1655	983	885	491
FBS-100516	1005	16	1231	1456	1746	1044	940	522
FBS-100517	1005	17	1303	1547	1837	1105	995	553
FBS-100518	1005	18	1375	1638	1928	1166	1050	583
FBS-100519	1005	19	1448	1729	2019	1228	1105	614
FBS-100520	1005	20	1520	1820	2110	1289	1160	644

1097

FBS-109708	1097	8	787	728	1045	668	601	334
FBS-109709	1097	9	873	819	1136	741	667	370
FBS-109710	1097	10	959	910	1227	814	732	407
FBS-109711	1097	11	1045	1001	1318	886	798	443
FBS-109712	1097	12	1131	1092	1409	959	863	480
FBS-109713	1097	13	1217	1183	1500	1032	929	516
FBS-109714	1097	14	1303	1274	1591	1105	995	553
FBS-109715	1097	15	1389	1365	1682	1178	1060	589
FBS-109716	1097	16	1475	1456	1773	1251	1126	625
FBS-109717	1097	17	1561	1547	1864	1324	1191	662
FBS-109718	1097	18	1647	1638	1955	1397	1257	698
FBS-109719	1097	19	1733	1729	2046	1470	1323	735
FBS-109720	1097	20	1819	1820	2137	1543	1388	771



# Grain Storage Silos



1097	FBS-109708	1097	8	787	728	1045	668	601	334
	FBS-109709	1097	9	873	819	1136	741	667	370
	FBS-109710	1097	10	959	910	1227	814	732	407
	FBS-109711	1097	11	1045	1001	1318	886	798	443
	FBS-109712	1097	12	1131	1092	1409	959	863	480
	FBS-109713	1097	13	1217	1183	1500	1032	929	516
	FBS-109714	1097	14	1303	1274	1591	1105	995	553
	FBS-109715	1097	15	1389	1365	1682	1178	1060	589
	FBS-109716	1097	16	1475	1456	1773	1251	1126	625
	FBS-109717	1097	17	1561	1547	1864	1324	1191	662
	FBS-109718	1097	18	1647	1638	1955	1397	1257	698
	FBS-109719	1097	19	1733	1729	2046	1470	1323	735
FBS-109720	1097	20	1819	1820	2137	1543	1388	771	
1188	FBS-118808	1188	8	933	728	1071	791	712	396
	FBS-118809	1188	9	1034	819	1162	877	789	438
	FBS-118810	1188	10	1135	910	1253	962	866	481
	FBS-118811	1188	11	1236	1001	1344	1048	943	524
	FBS-118812	1188	12	1336	1092	1435	1133	1020	567
	FBS-118813	1188	13	1437	1183	1526	1219	1097	609
	FBS-118814	1188	14	1538	1274	1617	1304	1174	652
	FBS-118815	1188	15	1639	1365	1708	1390	1251	695
	FBS-118816	1188	16	1740	1456	1799	1475	1328	738
	FBS-118817	1188	17	1841	1547	1890	1561	1405	780
	FBS-118818	1188	18	1941	1638	1981	1646	1482	823
	FBS-118819	1188	19	2042	1729	2072	1732	1559	866
FBS-118820	1188	20	2143	1820	2163	1817	1636	909	